

Assembly Instructions for 15P, 19P, 21P & 24P Antenna Mounting Brackets

Assemble the reflector to the mounting bracket in the required polarization.

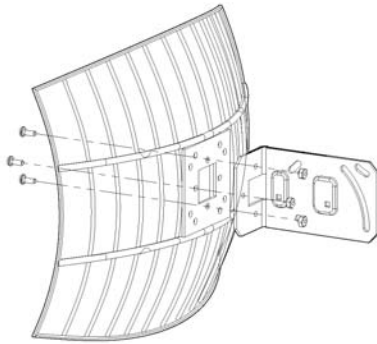
NOTE: When assembling the passive feed to the reflector, ensure they are correctly oriented as noted on the following page.

STEP 1 Properly securing the mounting bracket will allow the antenna to be adjusted to line up with the transmitter. Ensure the bracket is mounted exactly as shown.

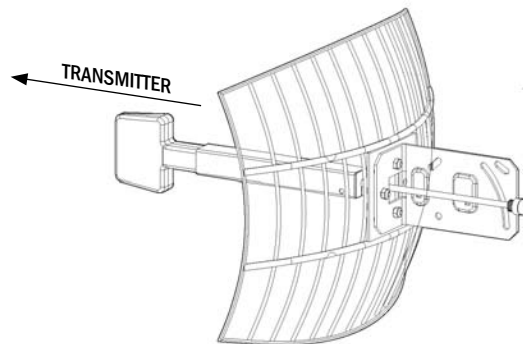
When assembling the passive feed to the reflector ensure they are correctly oriented as shown below.

STEP 2 Slide the passive feed into the square hole and align it with the hole that corresponds with the antenna, i.e. 15 or 19/24. Place the saddle over the passive feed and secure it with the supplied nut and bolt.

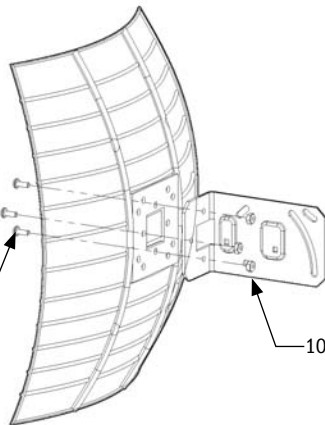
Vertical Polarization



Vertical Polarization



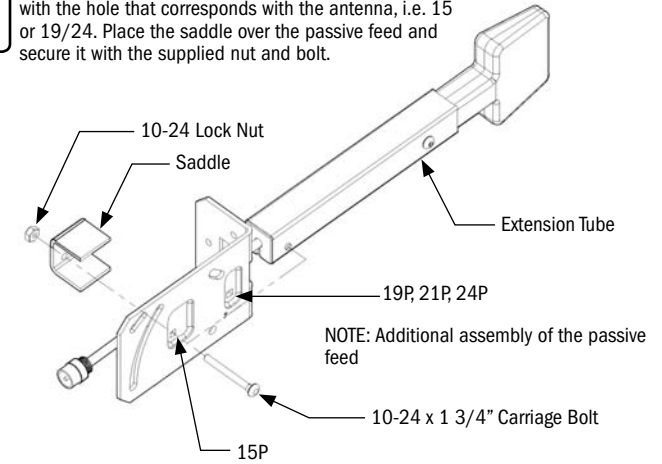
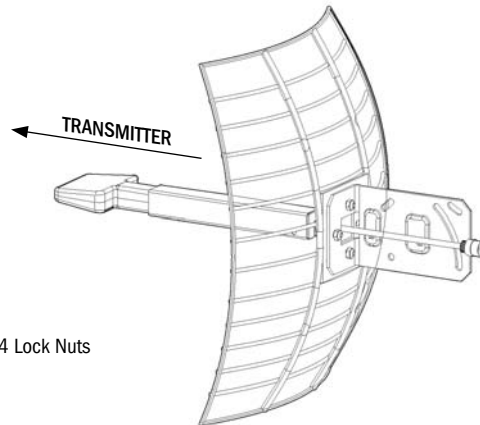
Horizontal Polarization



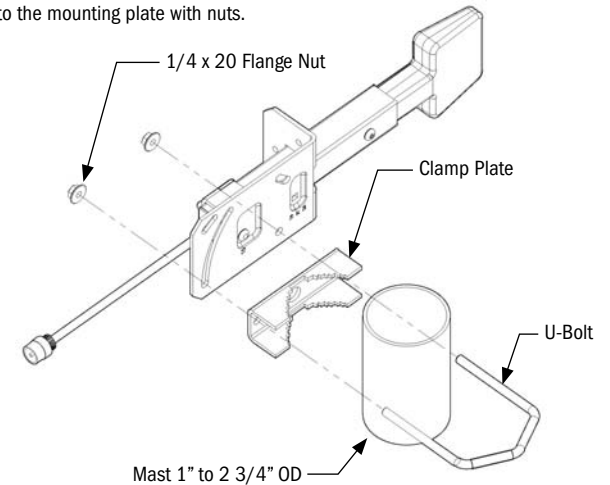
10-24 X 1/2" Bolts

10-24 Lock Nuts

Horizontal Polarization



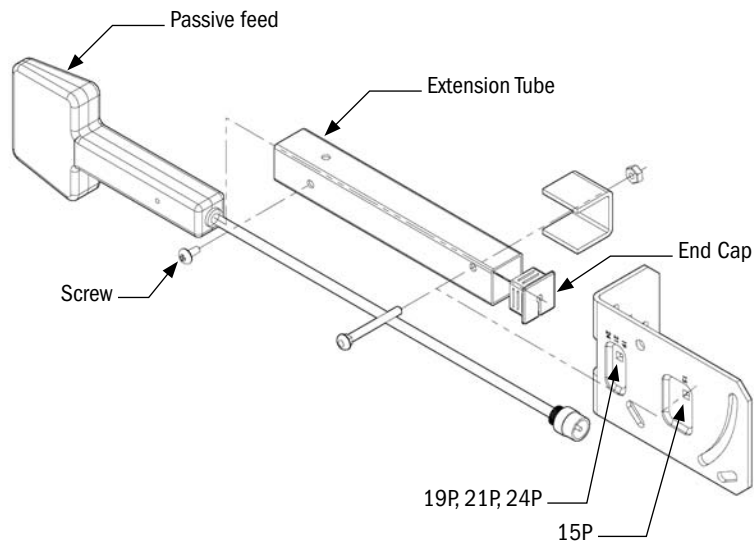
STEP 3 Assemble the U-bolt and the mast clamp to the mounting plate with nuts.



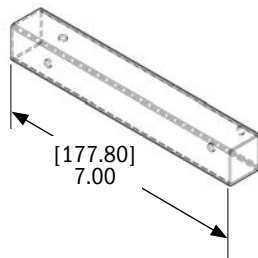
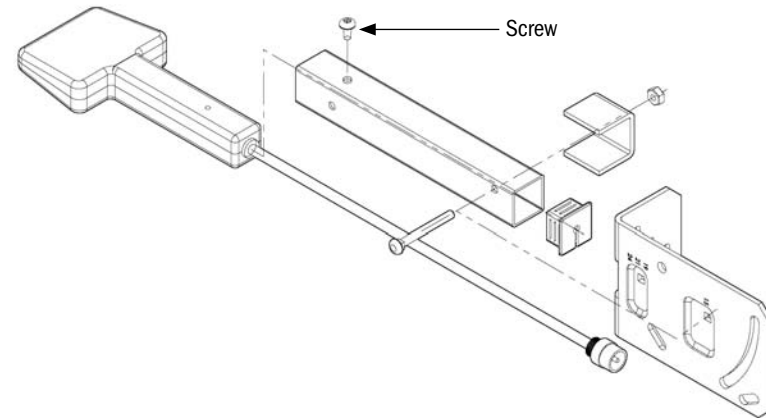
STEP 4 Slide the antenna assembly over the top of the mast and finger tighten the nuts on the clamp assembly. Aim the antenna towards the transmitter and then tighten the nuts firmly

Additional Instructions for 15P, 19P, 21P & 24P Antennas-Passive Feeds

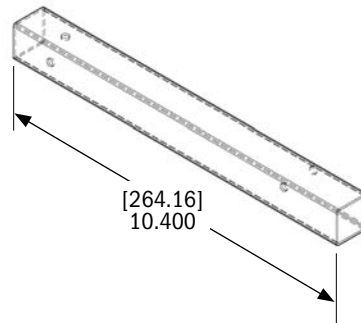
Vertical Polarization



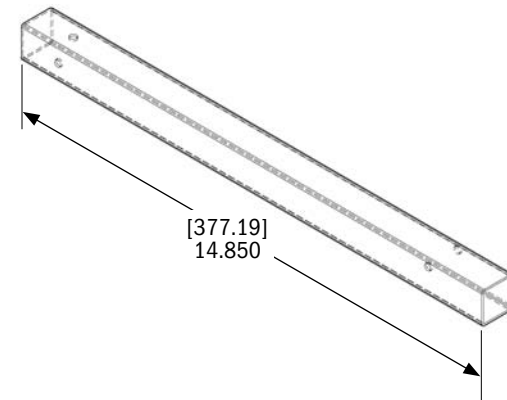
Horizontal Polarization



XT-15P/19P
For 15P/19P Antenna Grid



XT-21P
For 21P Antenna Grid



XT-24P
For 24P Antenna Grid

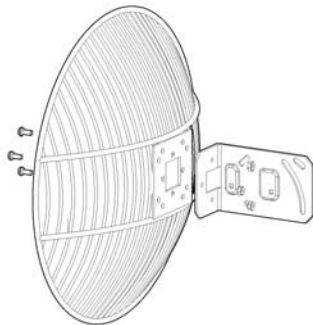
Assembly Instructions for 14R, 18R, 24R, 32R and 39R Mounting Brackets

Assemble the reflector to the mounting bracket in the required polarization.

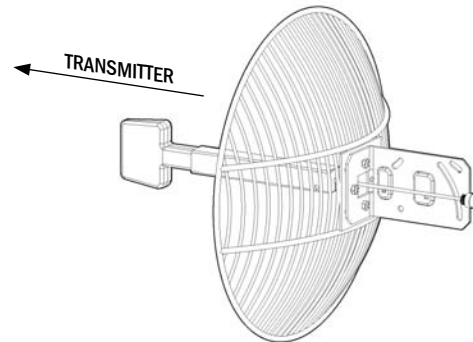
STEP 1

NOTE: The mounting bracket is to be oriented to allow the antenna to be tilted to line up with the transmitter. Ensure the bracket is mounted exactly as shown.

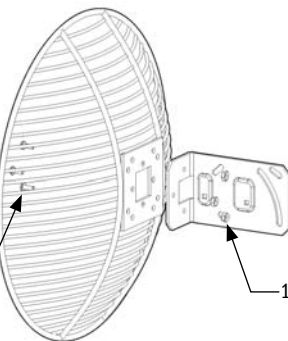
Vertical Polarization



Vertical Polarization



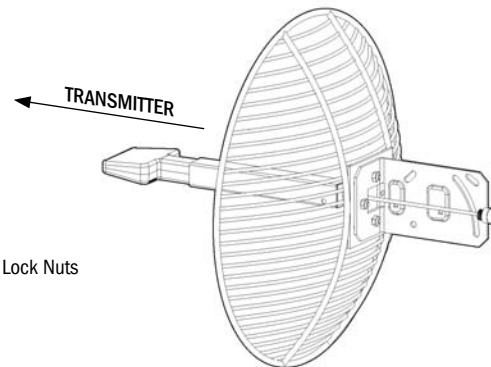
Horizontal Polarization



10-24 X 1/2" Bolts

10-24 Lock Nuts

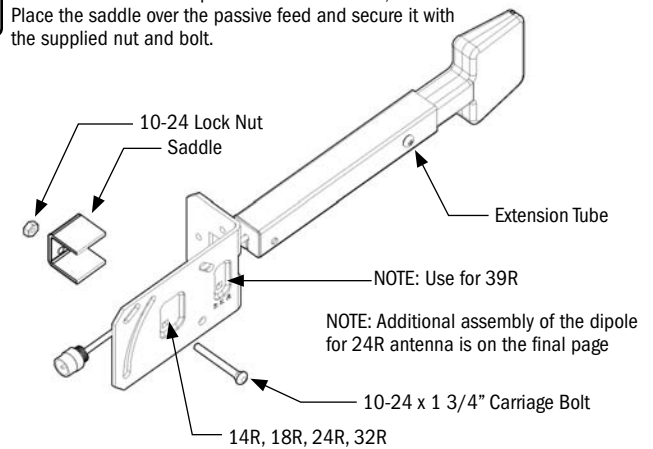
Horizontal Polarization



NOTE: When assembling the passive feed to the reflector, ensure they are correctly oriented as noted on the following page.

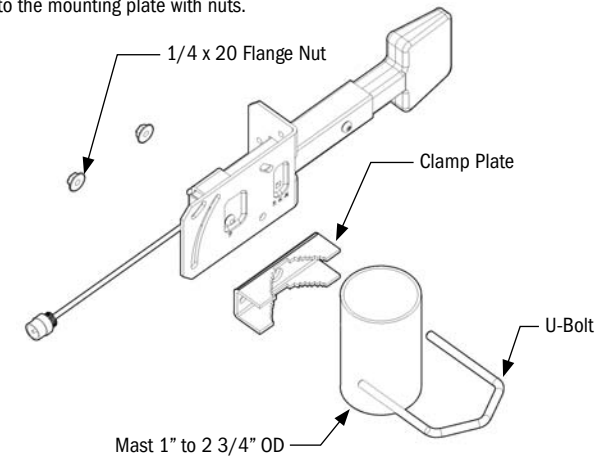
STEP 2

Slide the passive feed into the square hole and align it with the hole that corresponds with the antenna, i.e. 15. Place the saddle over the passive feed and secure it with the supplied nut and bolt.



STEP 3

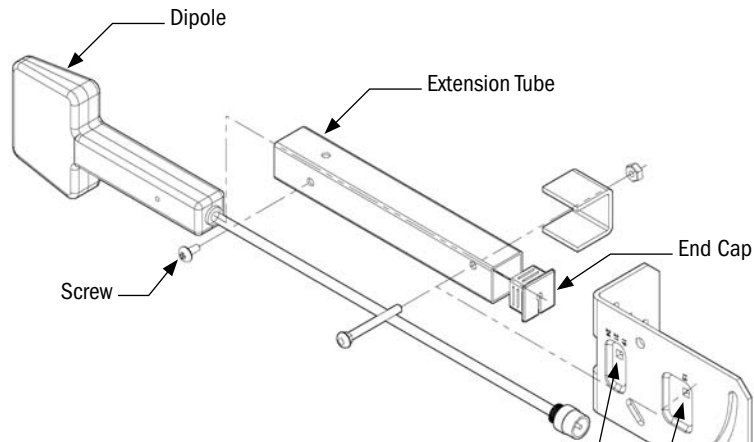
Assemble the U-bolt and the mast clamp to the mounting plate with nuts.



STEP 4

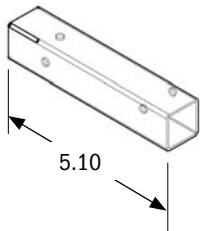
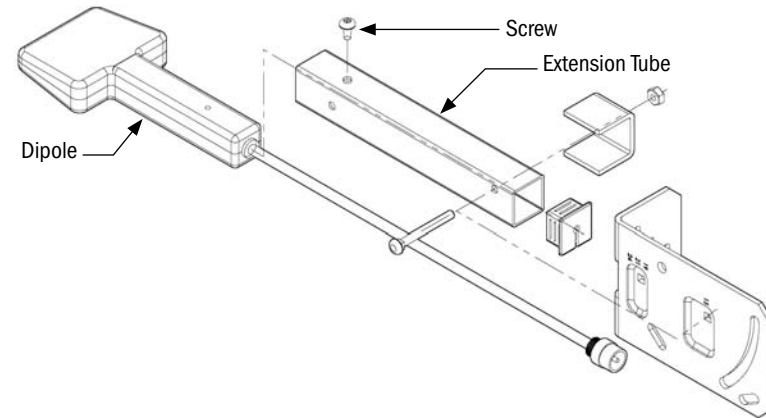
Slide the antenna assembly over the top of the mast and finger tighten the nuts on the clamp assembly. Aim the antenna towards the transmitter and then tighten the nuts firmly.

Vertical Polarization



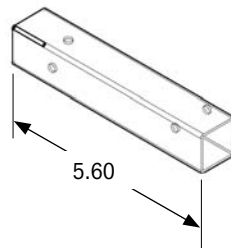
NOTE: Use for 39R
14R, 18R, 24R, 32R

Horizontal Polarization



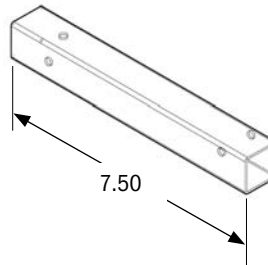
XT-14R

For 14R Antenna Grid



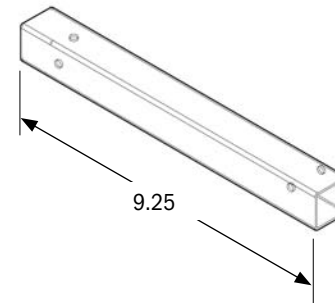
XT-18R

For 18R Antenna Grid



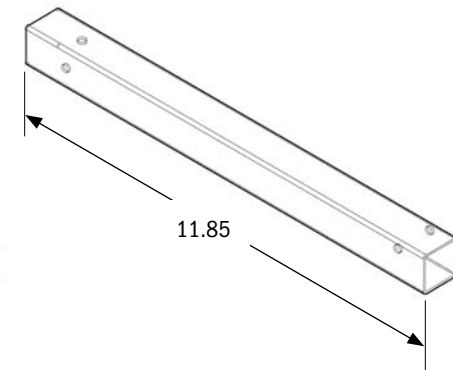
XT-24R

For 24R Antenna Grid



XT-32R

For 32R Antenna Grid



XT-39R

For 39R Antenna Grid