

Assembly Instructions for 15P, 19P, 21P & 24P Antenna Mounting Brackets

Assemble the reflector to the mounting bracket in the required polarization.

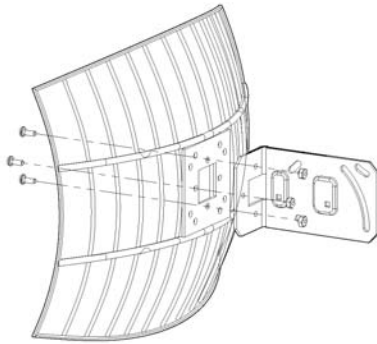
NOTE: When assembling the passive feed to the reflector, ensure they are correctly oriented as noted on the following page.

STEP 1 Properly securing the mounting bracket will allow the antenna to be adjusted to line up with the transmitter. Ensure the bracket is mounted exactly as shown.

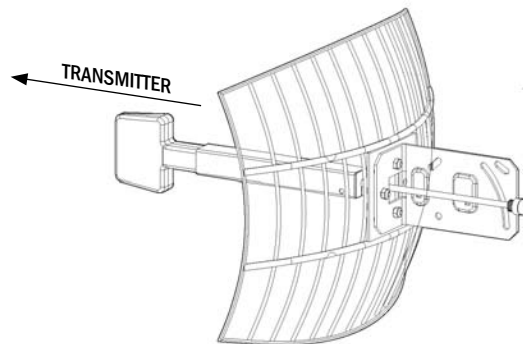
When assembling the passive feed to the reflector ensure they are correctly oriented as shown below.

STEP 2 Slide the passive feed into the square hole and align it with the hole that corresponds with the antenna, i.e. 15 or 19/24. Place the saddle over the passive feed and secure it with the supplied nut and bolt.

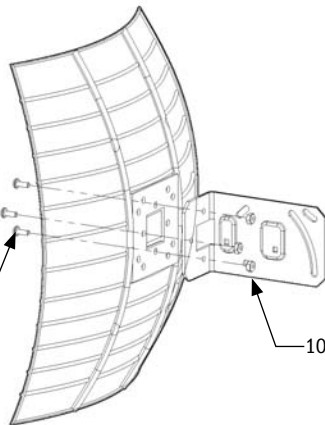
Vertical Polarization



Vertical Polarization



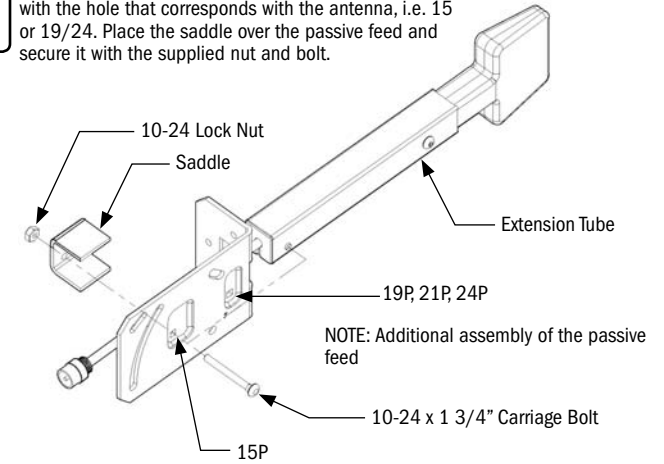
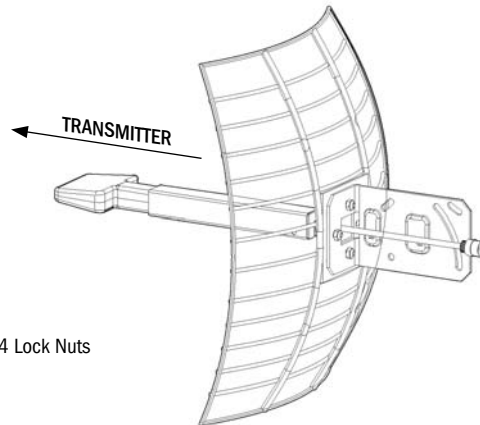
Horizontal Polarization



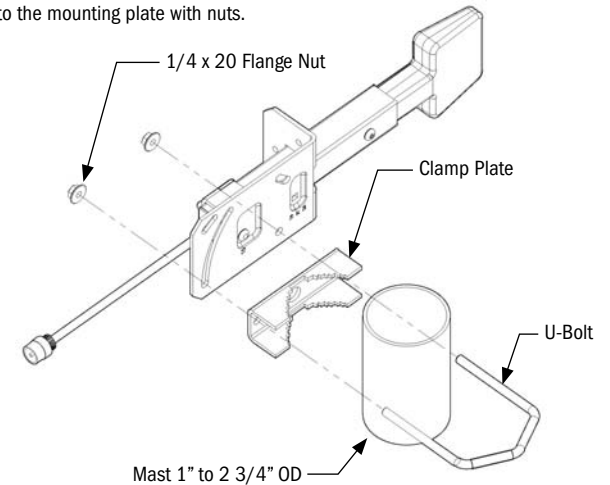
10-24 X 1/2" Bolts

10-24 Lock Nuts

Horizontal Polarization



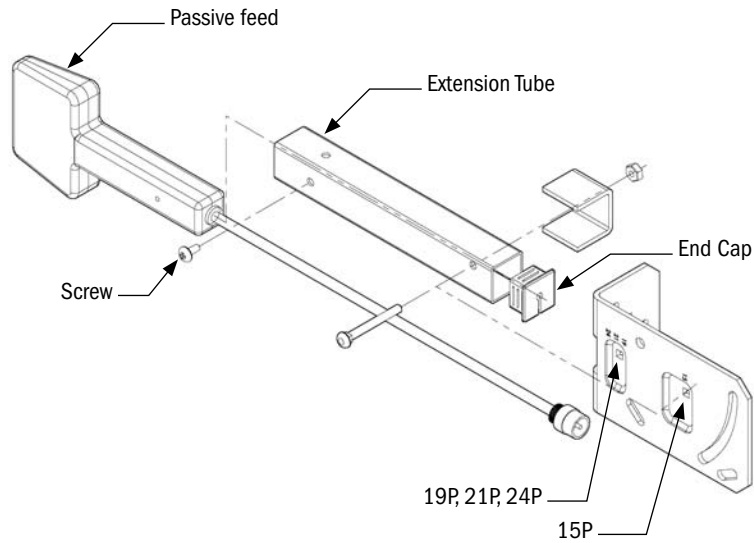
STEP 3 Assemble the U-bolt and the mast clamp to the mounting plate with nuts.



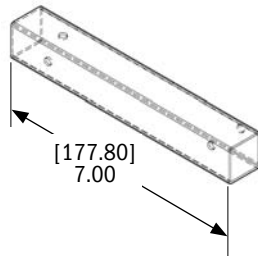
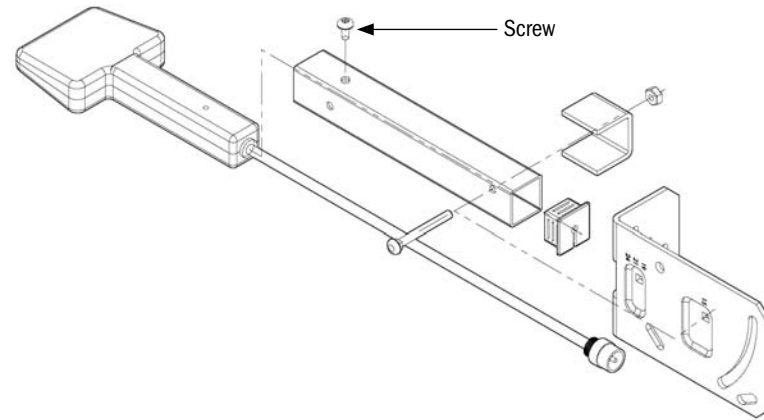
STEP 4 Slide the antenna assembly over the top of the mast and finger tighten the nuts on the clamp assembly. Aim the antenna towards the transmitter and then tighten the nuts firmly

Additional Instructions for 15P, 19P, 21P & 24P Antennas-Passive Feeds

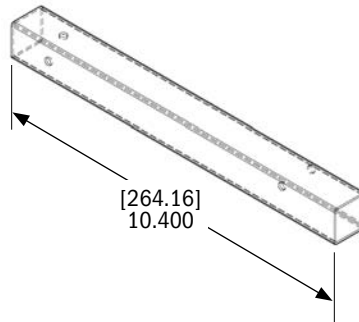
Vertical Polarization



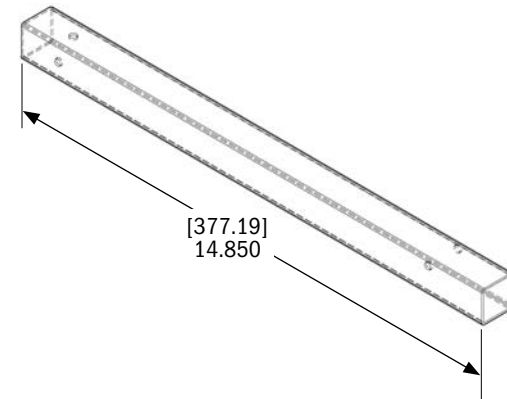
Horizontal Polarization



XT-15P/19P
For 15P/19P Antenna Grid



XT-21P
For 21P Antenna Grid



XT-24P
For 24P Antenna Grid