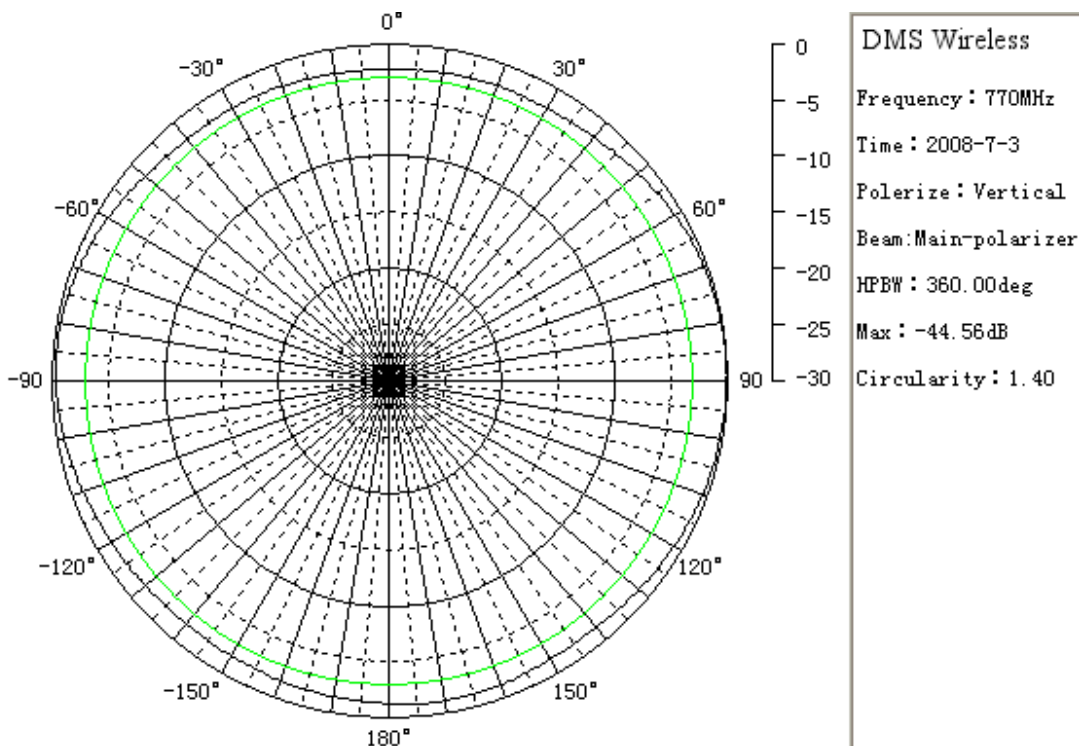
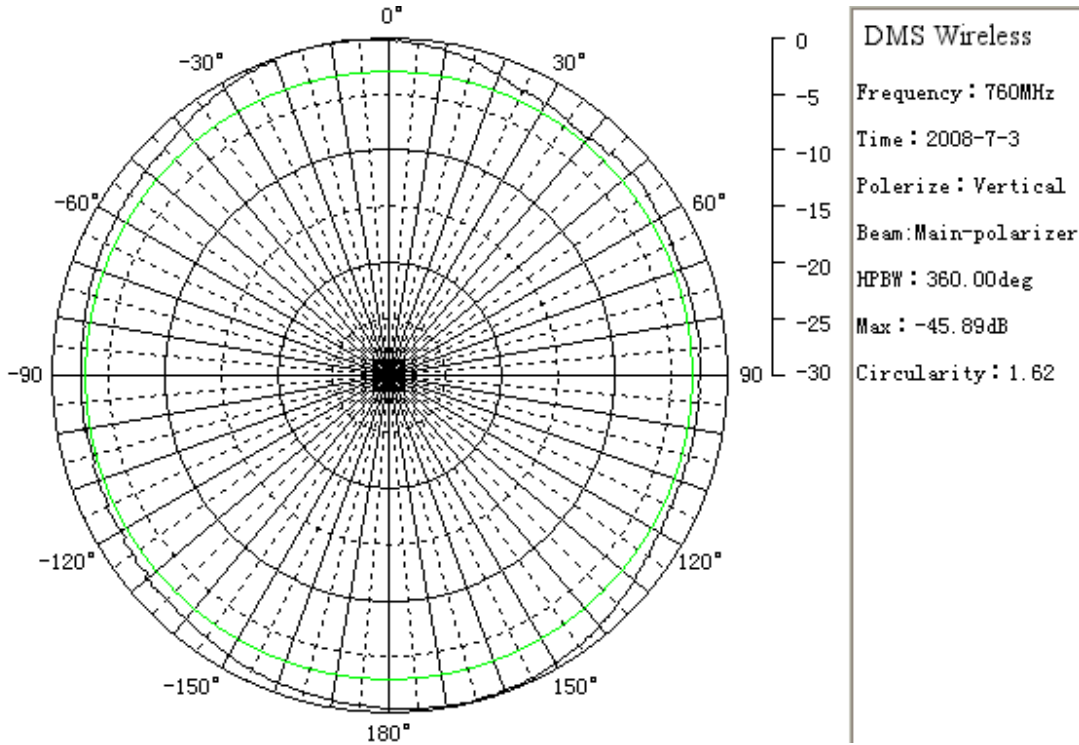


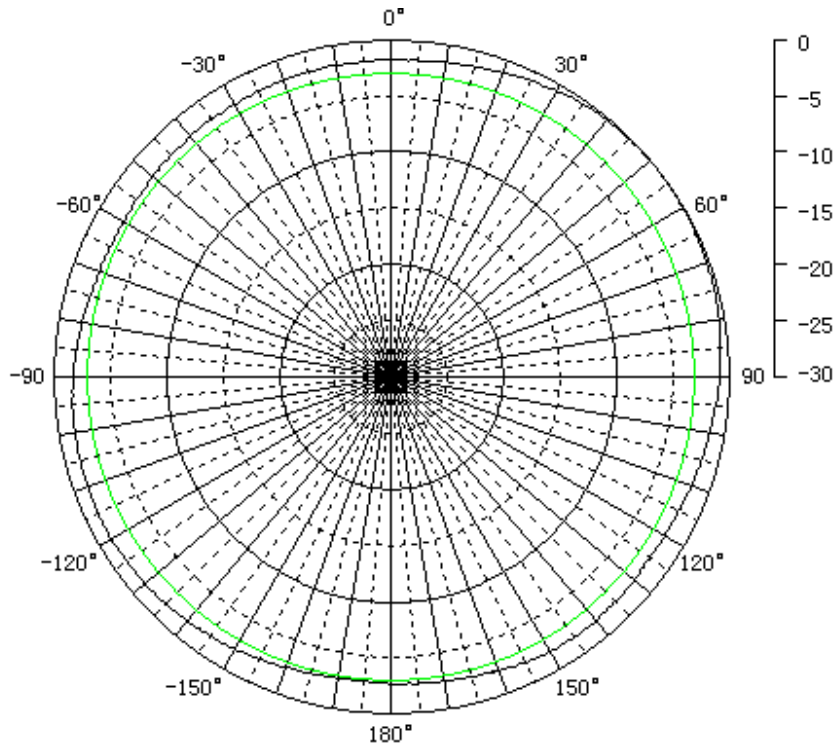
Radiation Patterns
OM76011V



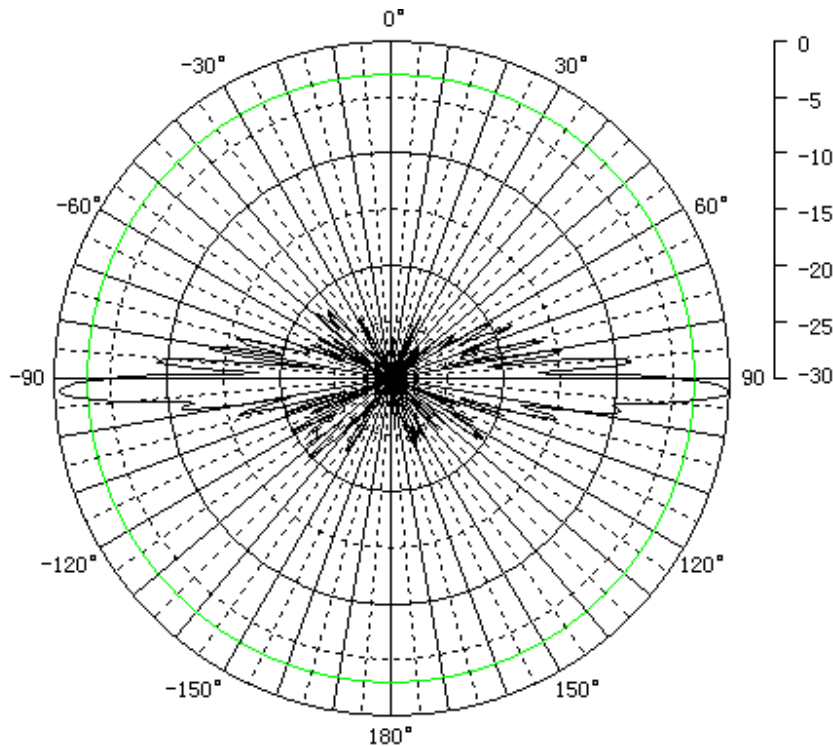


320 Northpoint Parkway SE
Suite B & C
Acworth, GA 30102 USA
Tel: 770-529-6800
Fax: 770-529-6840
www.dmswireless.com

Radiation Patterns OM76011V



DMS Wireless
Frequency : 780MHz
Time : 2008-7-3
Polarize : Vertical
Beam: Main-polarizer
HPBW : 360.00deg
Max : -44.45dB
Circularity : 1.78



DMS Wireless
Frequency : 760MHz
Time : 2008-7-3
Polarize : Vertical
Beam: Main-polarizer
HPBW : 4.89deg
Max : -56.86dB

Radiation Patterns
OM76011V

