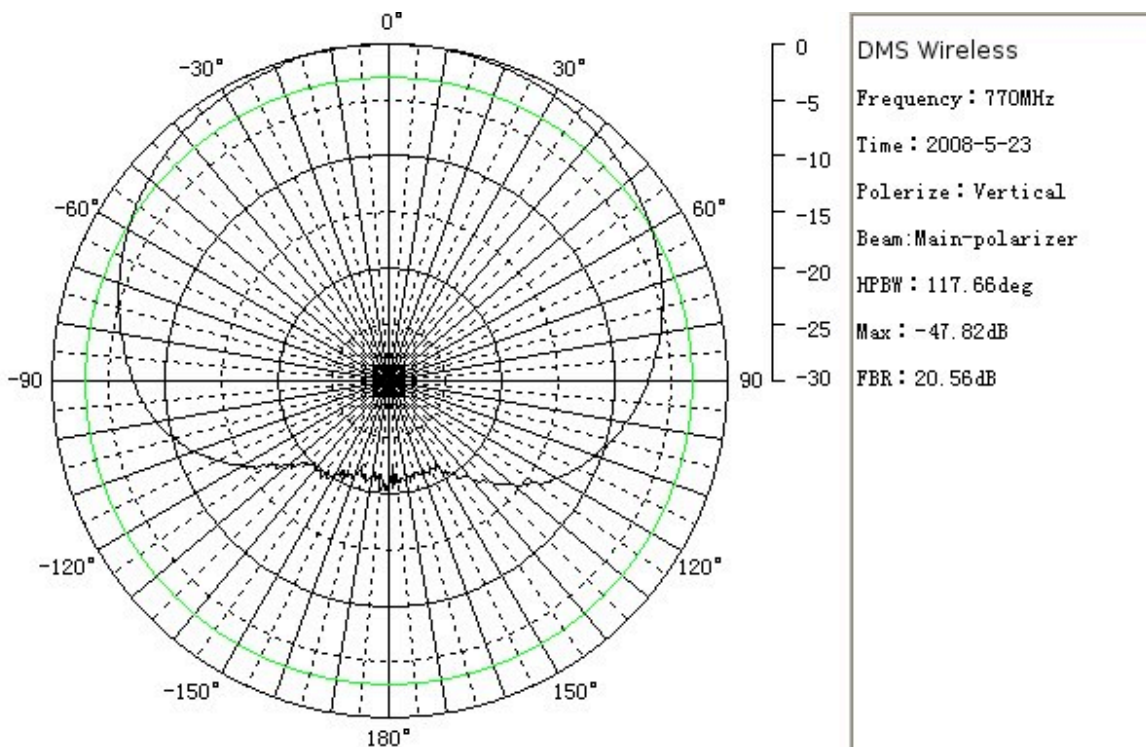
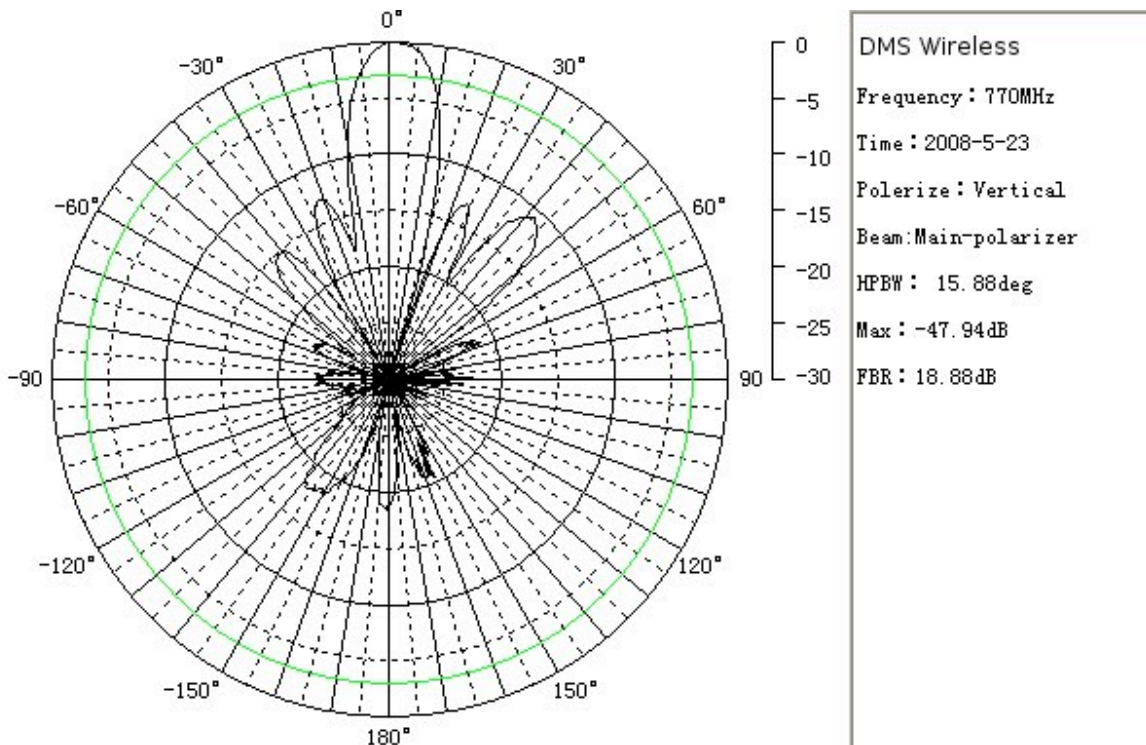
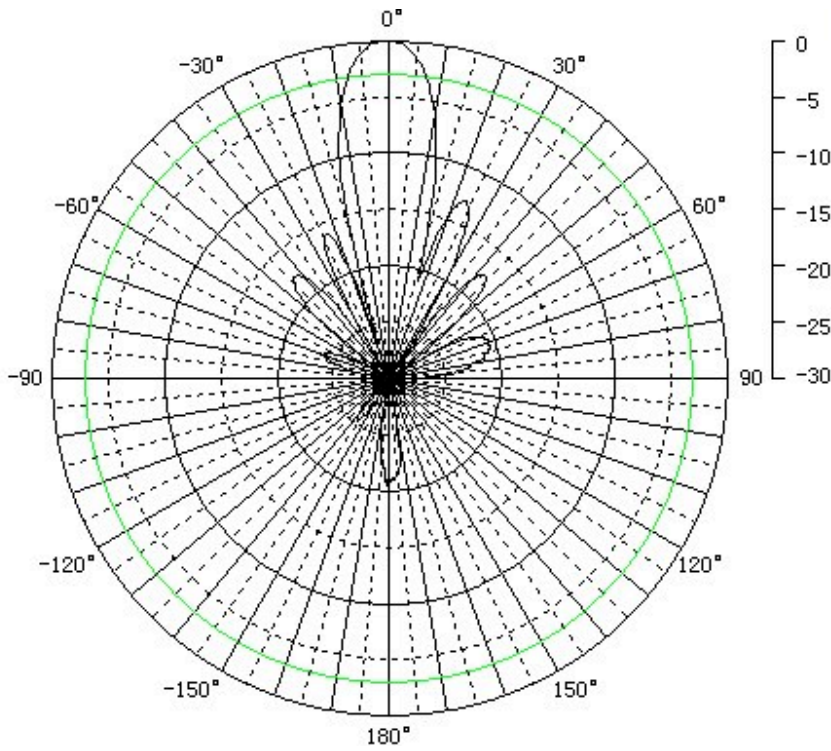


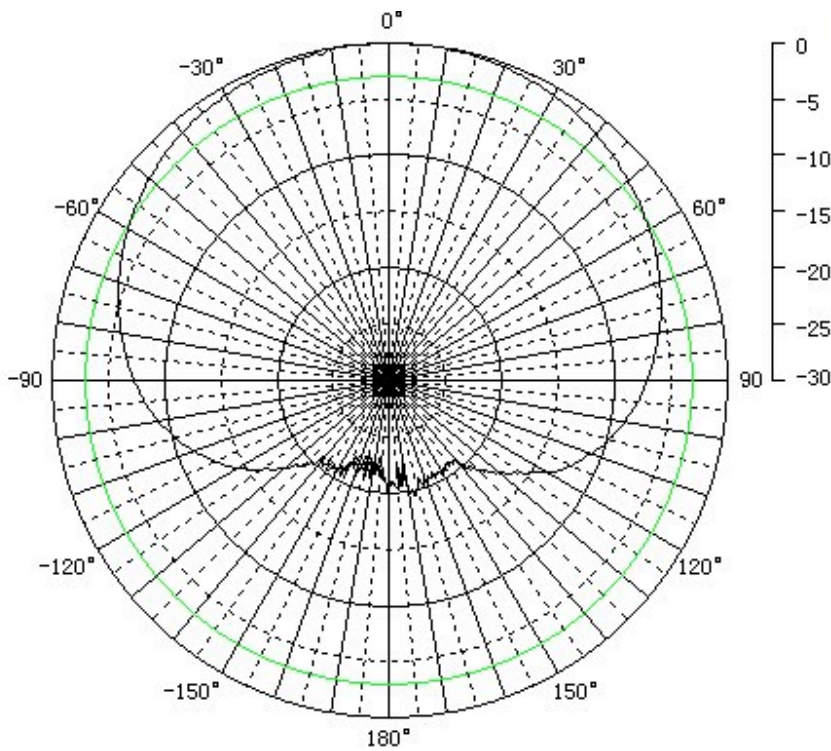
**PA76012013V Radiation Patterns**

**February 2009 continued**





0 DMS Wireless  
-5 Frequency : 780MHz  
-10 Time : 2008-5-23  
-15 Polorize : Vertical  
-20 Beam : Main-polarizer  
-25 HPBW : 15.15 deg  
-30 Max : -47.27dB  
FBR : 20.42dB



0 DMS Wireless  
-5 Frequency : 780MHz  
-10 Time : 2008-5-23  
-15 Polorize : Vertical  
-20 Beam : Main-polarizer  
-25 HPBW : 115.25deg  
-30 Max : -47.56dB  
FBR : 19.95dB