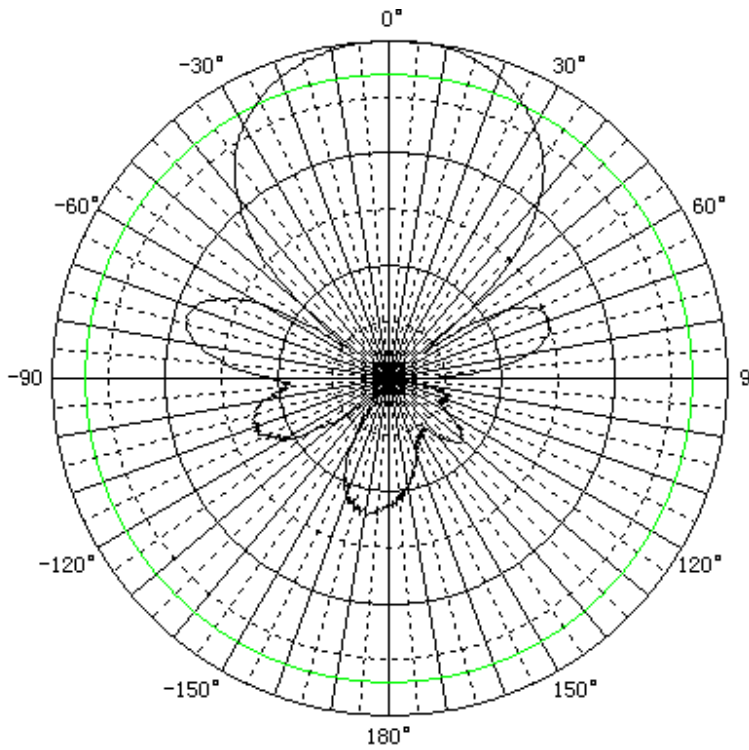
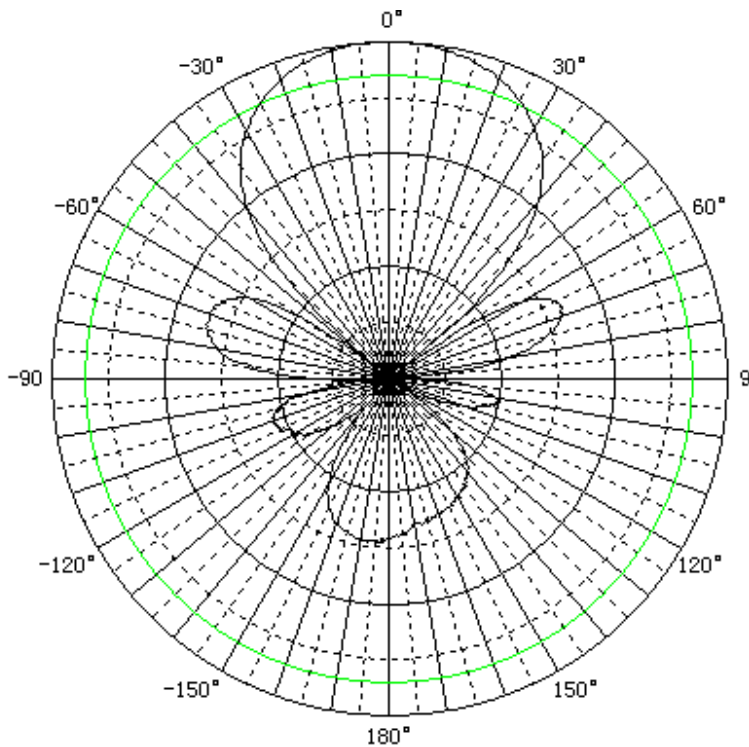


Radiation Patterns
YA45012W

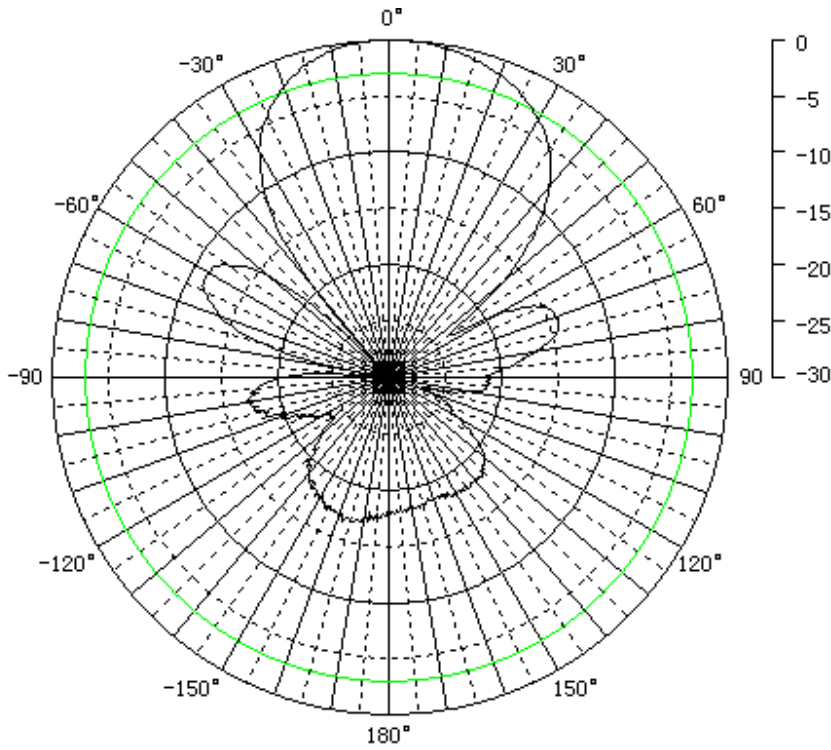


DMS Wireless
Frequency : 450MHz
Time : 2008-7-15
Polarize : Vertical
Beam: Main-polarizer
HPBW : 52.87deg
Max : -43.45dB
FBR : 17.68dB

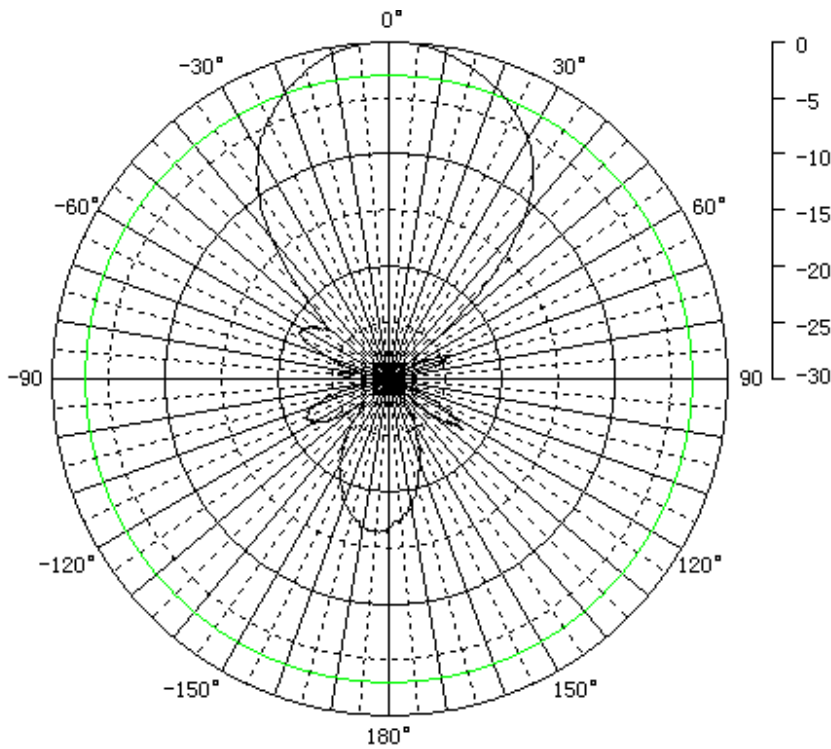


DMS Wireless
Frequency : 460MHz
Time : 2008-7-15
Polarize : Vertical
Beam: Main-polarizer
HPBW : 51.66deg
Max : -42.99dB
FBR : 15.41dB

Radiation Patterns
YA45012W



DMS Wireless
Frequency : 470MHz
Time : 2008-7-15
Polarize : Vertical
Beam: Main-polarizer
HPBW : 49.52deg
Max : -43.46dB
FBR : 16.60dB



DMS Wireless
Frequency : 450MHz
Time : 2008-7-15
Polarize : Vertical
Beam: Main-polarizer
HPBW : 42.41deg
Max : -42.80dB
FBR : 16.31dB

Radiation Patterns
YA45012W

